

MOD	DATE	DRND.	APPD.	DESCRIPTION
-----	------	-------	-------	-------------

D

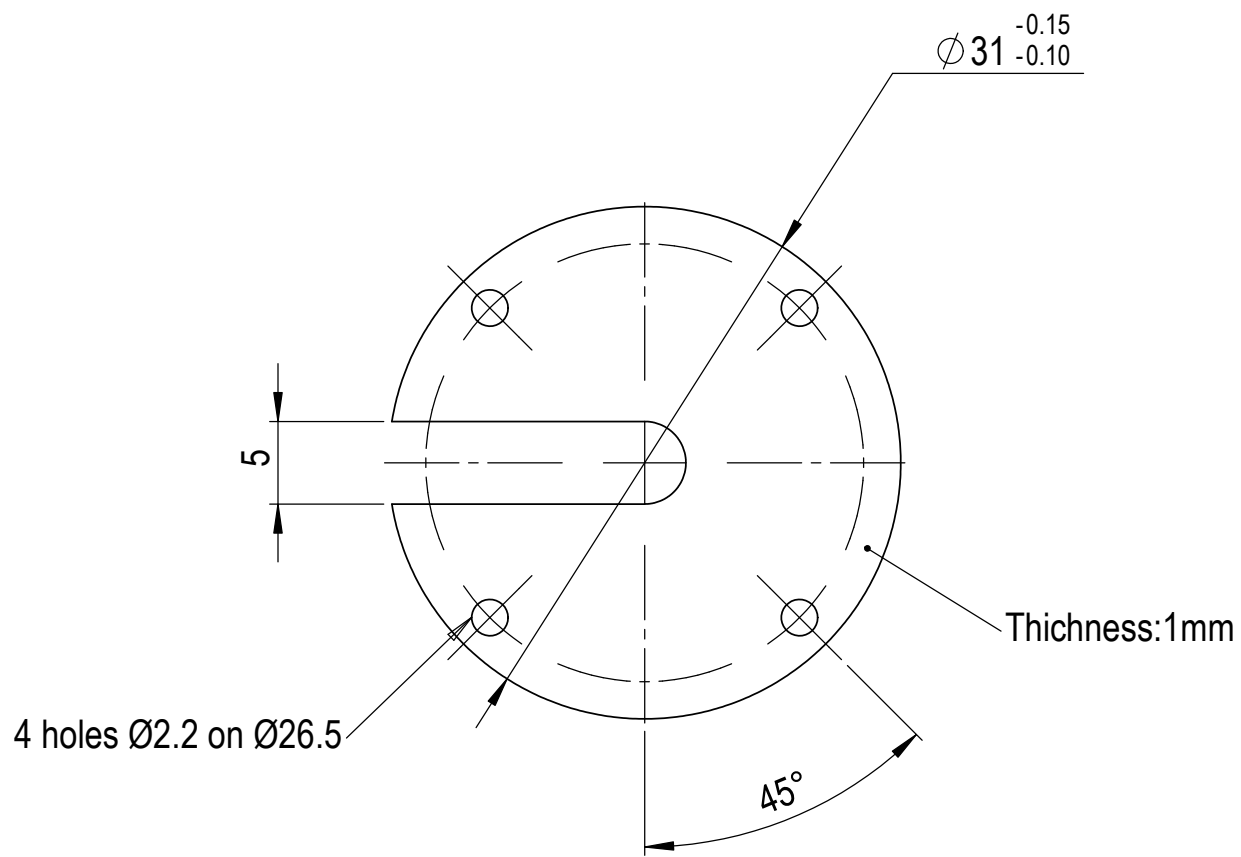
D

C

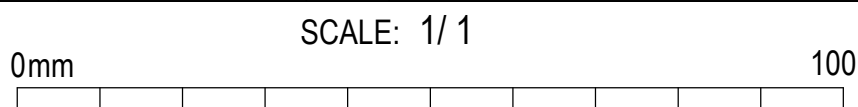
C

B

B



ITEM	DRAWING N.	QTY	DESCRIPTION / REMARKS	PEEK	0.0009
				MATERIAL	W./Kg



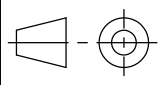
	NAME	DATE
DRN.	E.GAGLIA	19-12-05
CKD.	E.GAGLIA	19-12-05
APPD.	E.GAGLIA	19-12-05

**ID21 MICROSCOPY BEAMLINE**  
**SAMPLE HOLDER**  
**1\_COVER\_5**

ISO STANDARD	
GEN. SURFACE FINISH	:
GEN. LINEAR TOL.	:
GEN. ANGULAR TOL.	:

A

A



**EUROPEAN SYNCHROTRON  
RADIATION FACILITY**

**ASSY.**

**A4**

BP 220 38043 GRENOBLE CEDEX-FRANCE

**21.90.1014**

PL