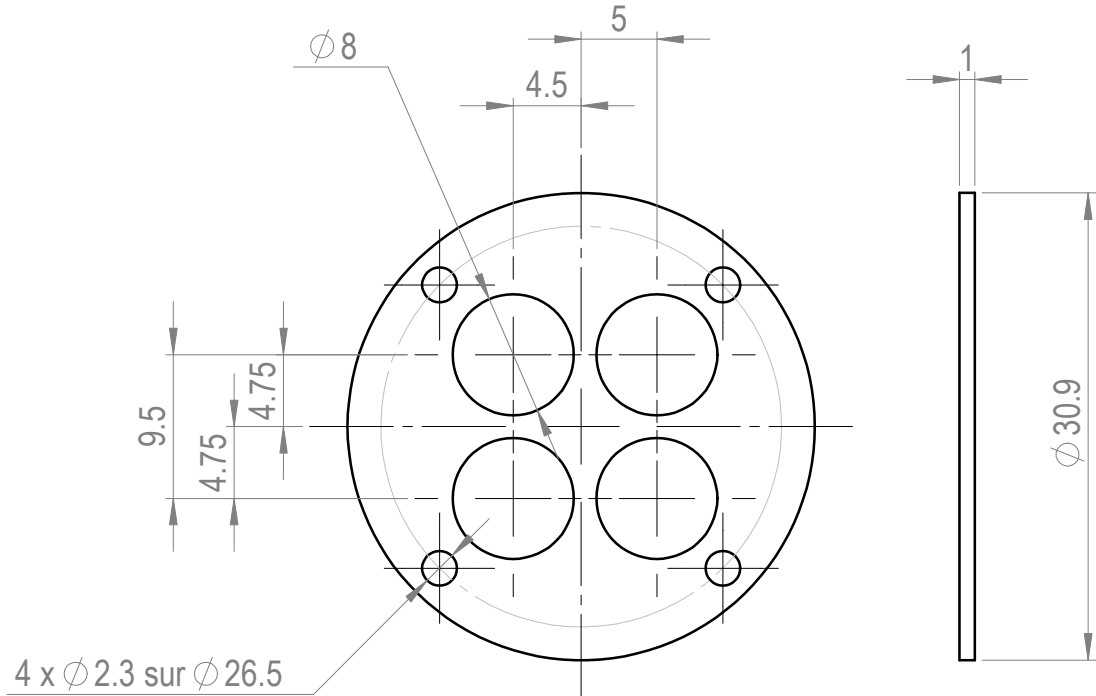
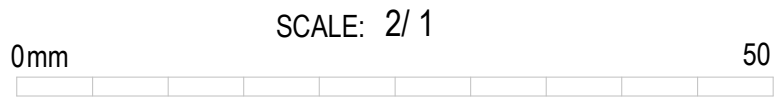


1	2	3		
MOD	DATE	DRND.	APPD.	DESCRIPTION



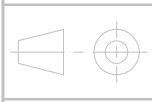
DESCRIPTION / REMARKS	MATERIAL	TREATMENT	W.(Kg)
	PEEK		0,0007



DRN.	NAME	DATE
CKD.	D.BUGNAZET	02/09/2013
APPD.		

**ID21 X-RAY MICROSCOPY BL  
SXM MICROSCOPE  
SAMPLE HOLDER 4 HOLES PEEK**

GEN. TOL. :  
GEN. SURFACE FINISH : N7



**EUROPEAN SYNCHROTRON  
RADIATION FACILITY**

ASSY.

**A4**

CS 40220 - 38043 Grenoble Cedex 9  
TEL. 04-76-88-20-00 WWW.ESRF.FR

**11.02.**

ESRF