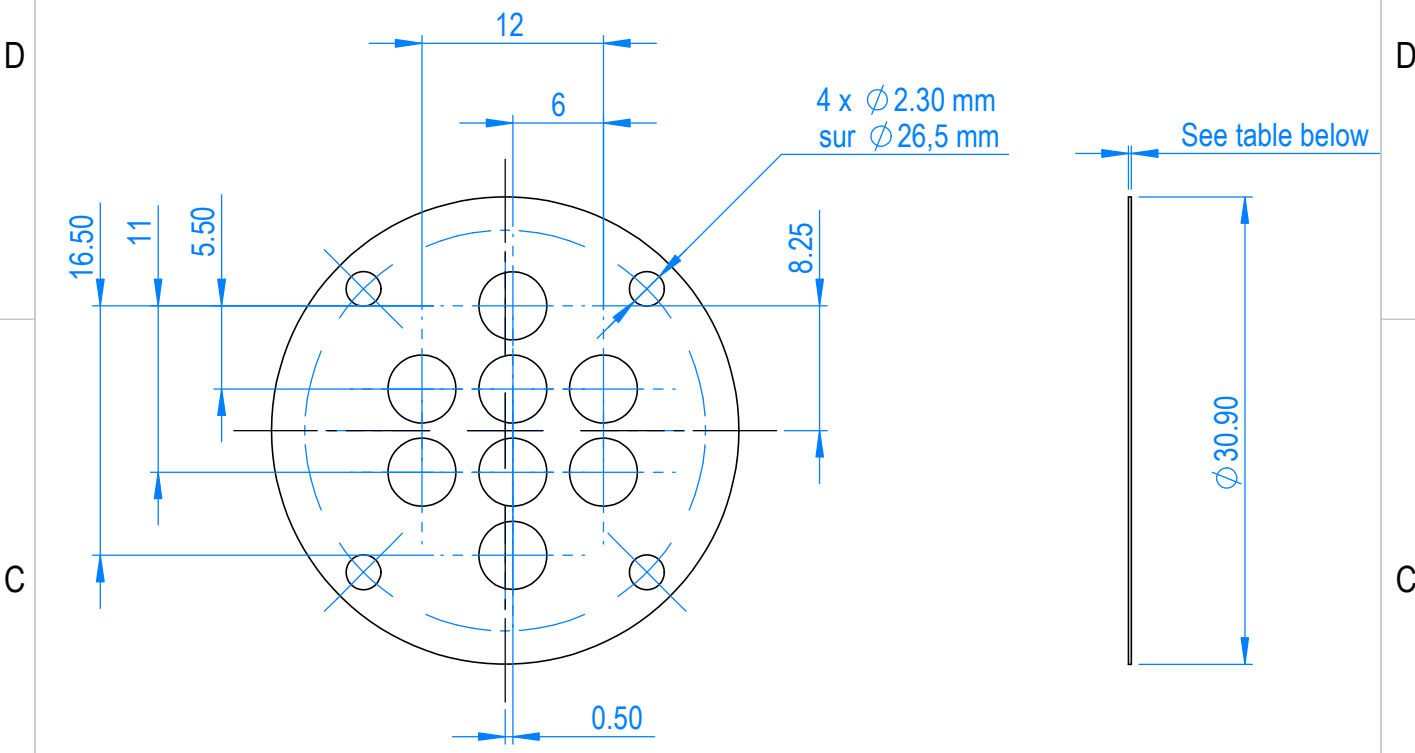
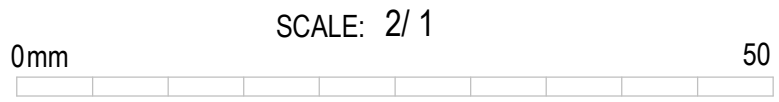


1		2		3	
MOD	DATE	DRND.	APPD.	DESCRIPTION	



Material	Thickness	Quantity
Inox	0.2 mm	20
Aluminium	0.25 mm	20
Peek	1 mm	20

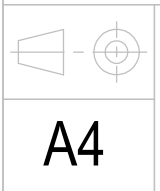
ITEM	DRAWING N.	QTY	DESCRIPTION / REMARKS	MATERIAL	W./Kg
					0,001



NAME	DATE
DRN. F. DI CHIARO	04/02/11
CKD.	
APPD.	

ID21 X-RAY MICROSCOPY BL SXM MICROSCOPE SAMPLE HOLDER 8 HOLES

ISO STANDARD	
GEN. SURFACE FINISH	: N7
GEN. LINEAR TOL.	: Js12
GEN. ANGULAR TOL.	: ±0,1°



**EUROPEAN SYNCHROTRON
RADIATION FACILITY**
BP 220 38043 GRENOBLE CEDEX-FRANCE
TEL. 04-76-88-20-00 FAX 04-76-88-20-20

ASSY.
11.0204