

TANGO for non-dancers

Not everyone can or wants to learn to dance
TANGO



How to export TANGO servers ?

- Install a TANGO database, run the device server and use the TANGO client api
- Run TANGO without database and use client api
- Client can be in C, C++, Python, Java, Matlab, Labview, IgorPro
- Call the library used in the TANGO device server directly

EPICS to TANGO translator

- Presented at ICALEPCS 2007*
 - R. Stefanic, Cosylab, Ljubljana, Slovenia
 - L. Geoffroy, Maatel, France

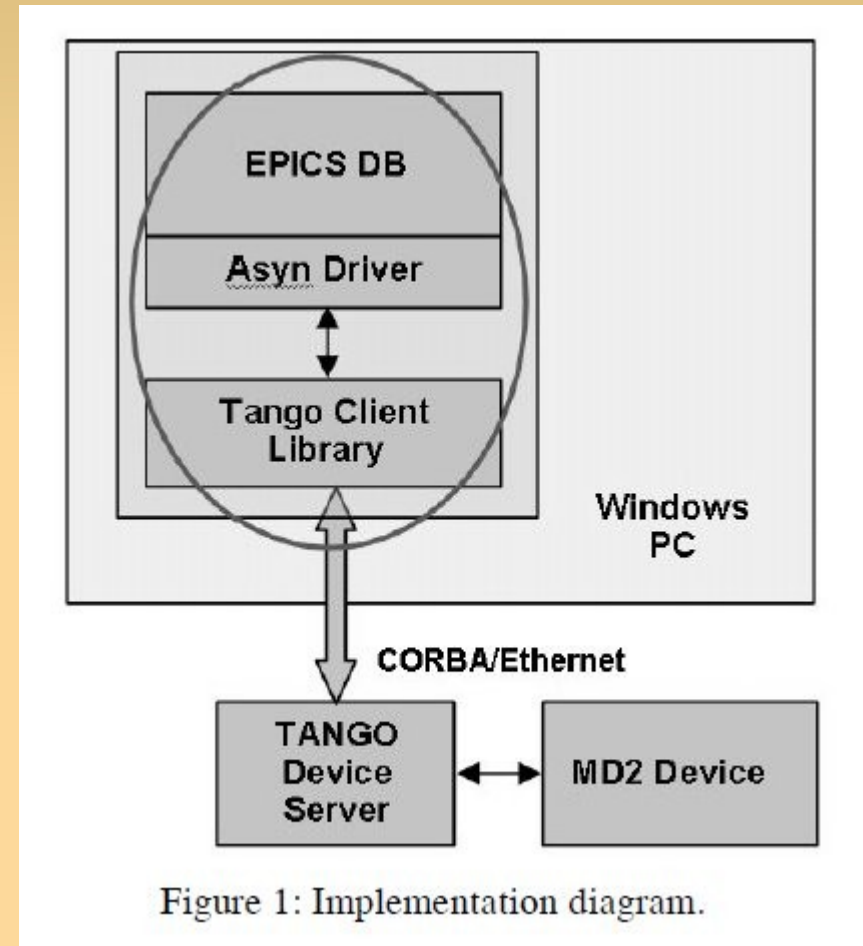


Figure 1: Implementation diagram.

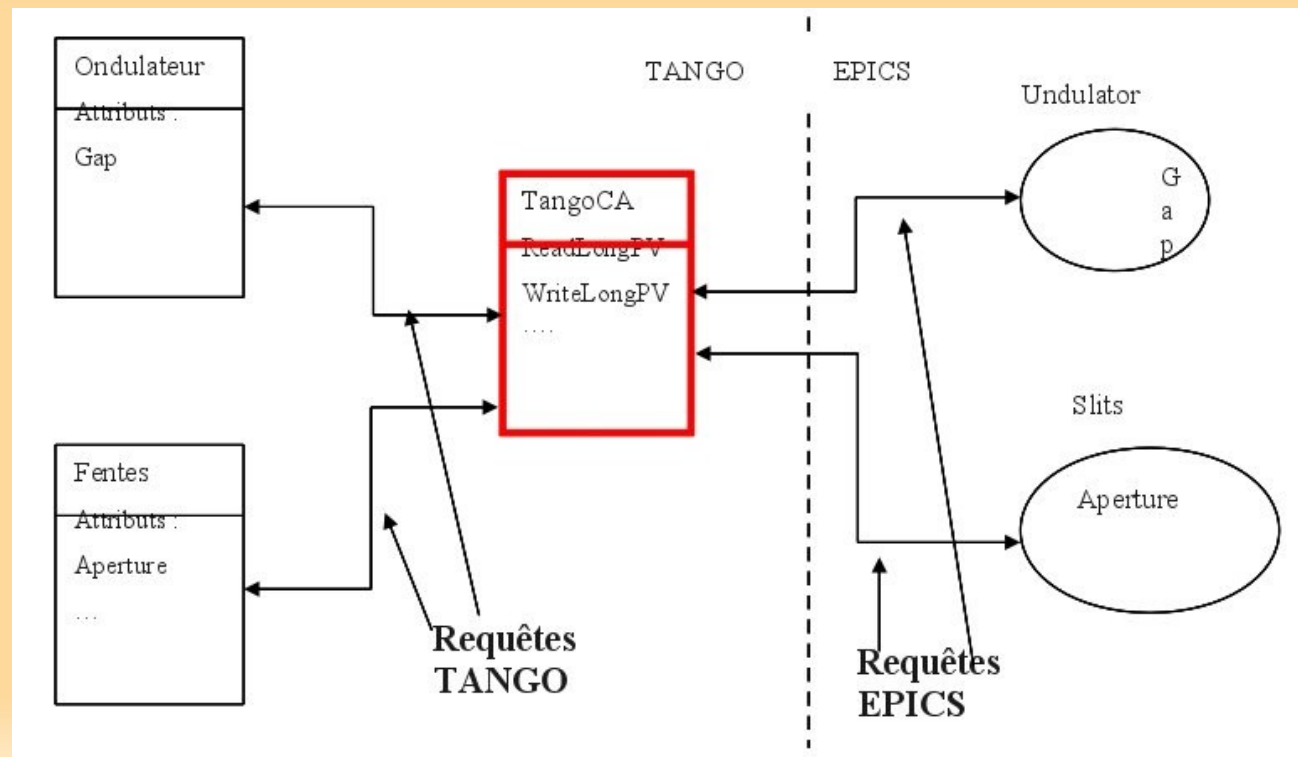
*<http://accelconf.web.cern.ch/AccelConf/ica07/PAPERS/FOPA05.PDF>

TANGO to Epics Channel Access

- Device server written by SOLEIL :

<http://tango-ds.cvs.sourceforge.net/viewvc/tango-ds/Communication/EPICS/TangoCA/>

- Exports EPICS *channels* as TANGO *attributes*



Library approach



Library approach

- See LIMA example
- Library implements the functionality
- Associated with a framework if necessary
- Library is independant of TANGO
- TANGO is simply a wrapper

Questions

- Where are TANGO servers being exported ?
- What are the preferred clients ?
- Do Python / Java pose any specific problems ?
- What should be improved to make exporting even easier ?
- Should the library approach be generalised ?